

SINGER

1000

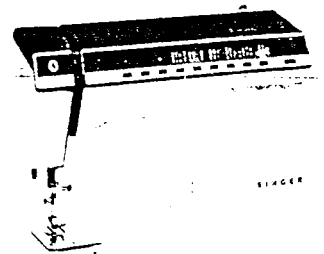
SINGER*

*1021
1022 Series
see 500 Series*

From the library of: Diamond Needle Corp

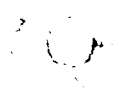
List of Parts

Futura*
Solid-state Electronic Sewing Machine



Model 1000

* A Trademark of THE SINGER COMPANY



From the library of: Diamond Needle Corp

Form 30-836 G (676) Engl.
Part No. 0-503 301-002

Printed in Western Germany

SINGER GMBH
Zweigniederlassung Karlsruhe
Postfach 5640
D 7500 Karlsruhe

Phone 0721 60901
Telex 07 825 842

Contents

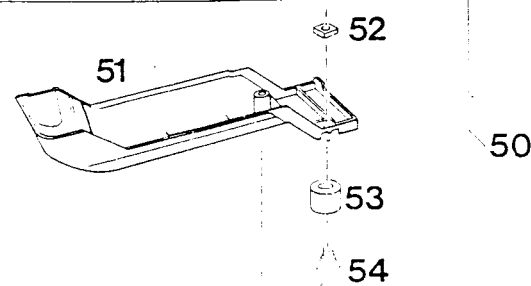
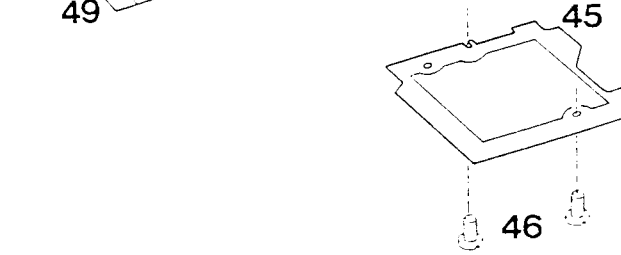
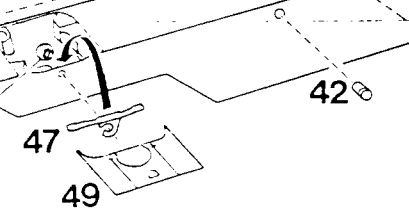
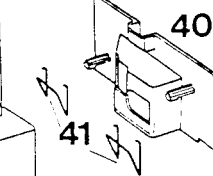
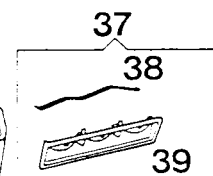
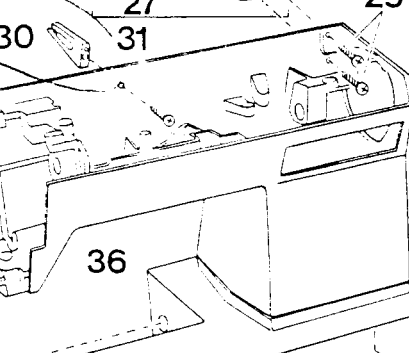
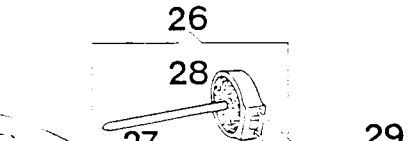
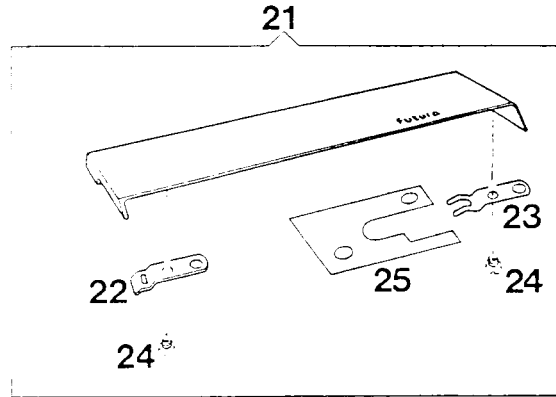
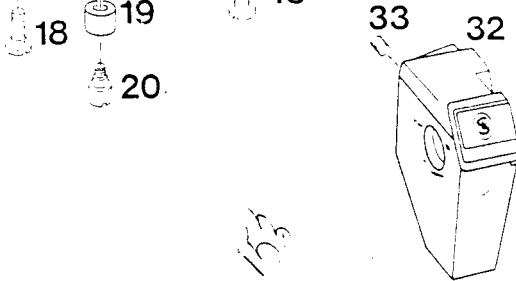
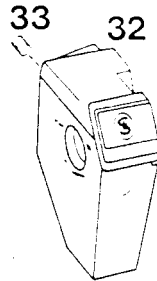
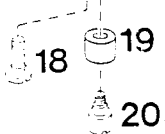
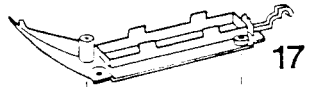
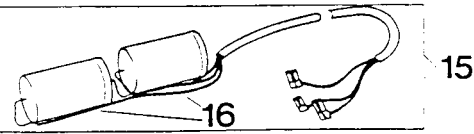
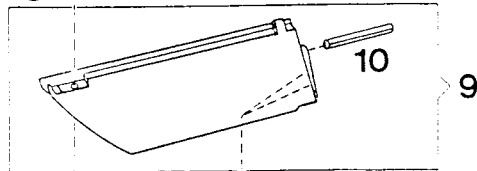
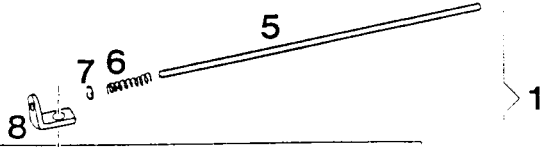
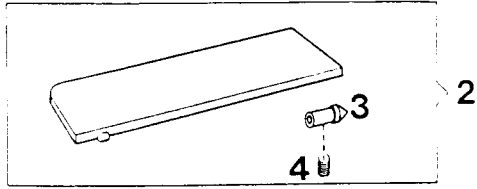
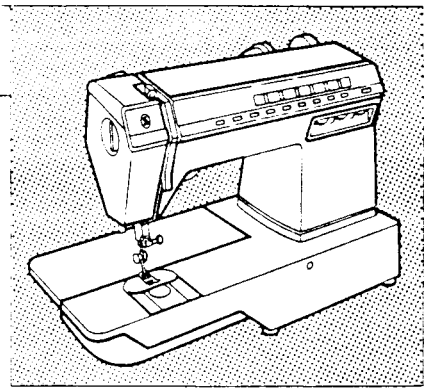
List of Parts Futura Model 1000

Group	Image	Page	Group	Image	Page
1		4	7		16
2		6	8		18
3		8	9		20
4		10	10		22
5		12	11		24
6					

From the Library of: Diamond Needle

1

1000 G3



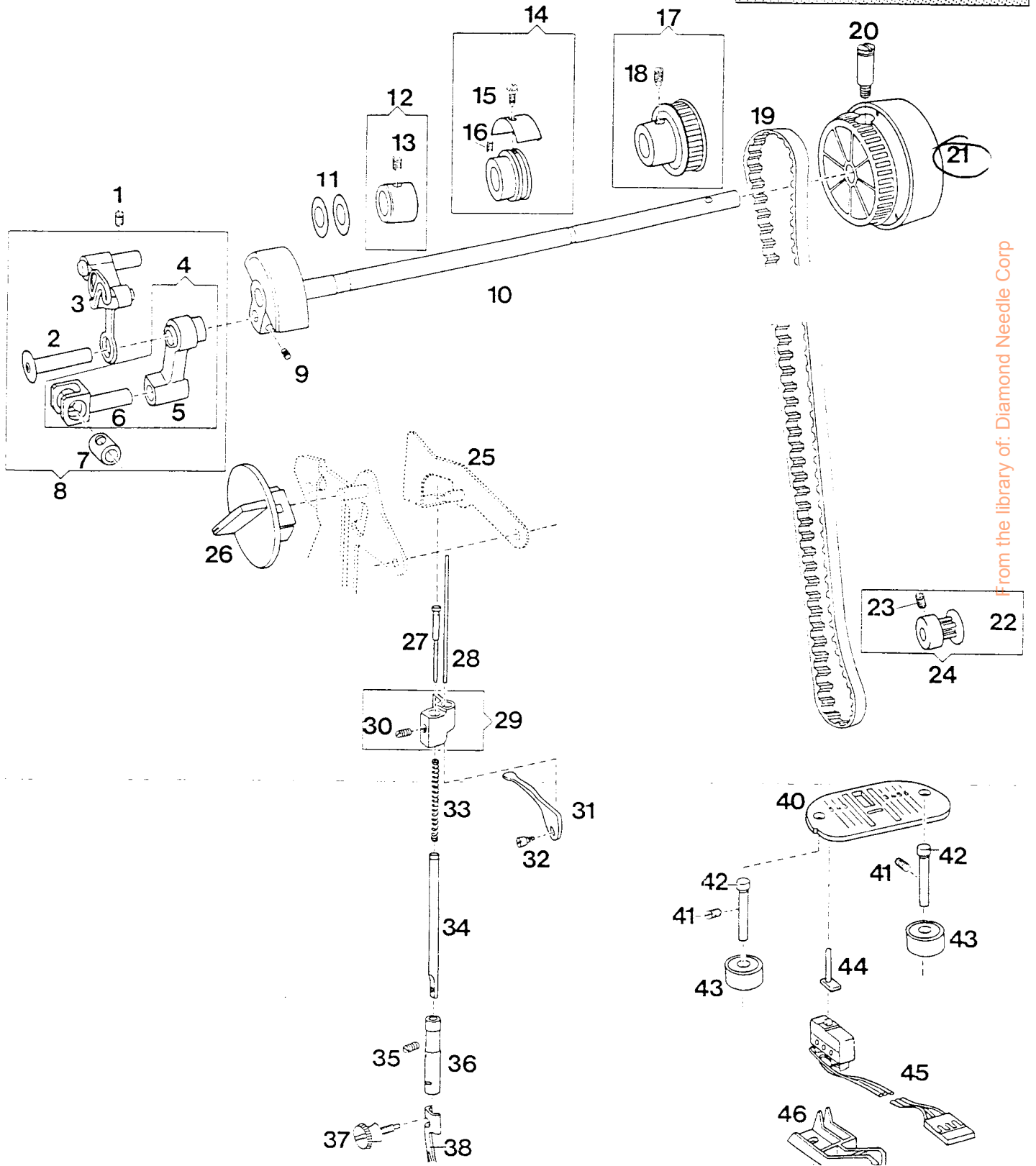
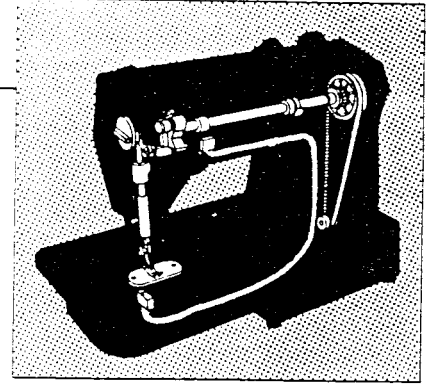
List of Parts for 1000 Machine

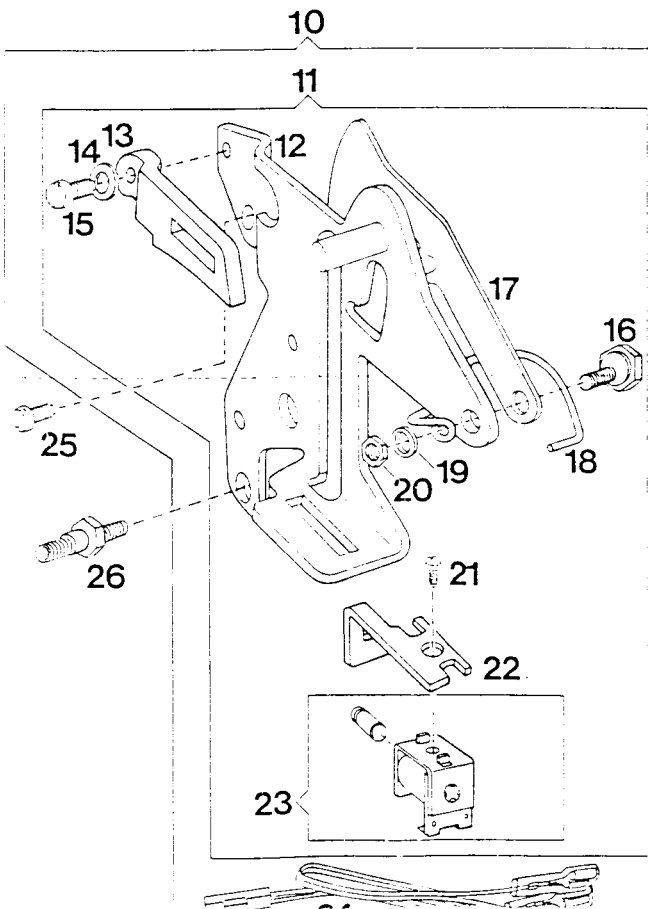
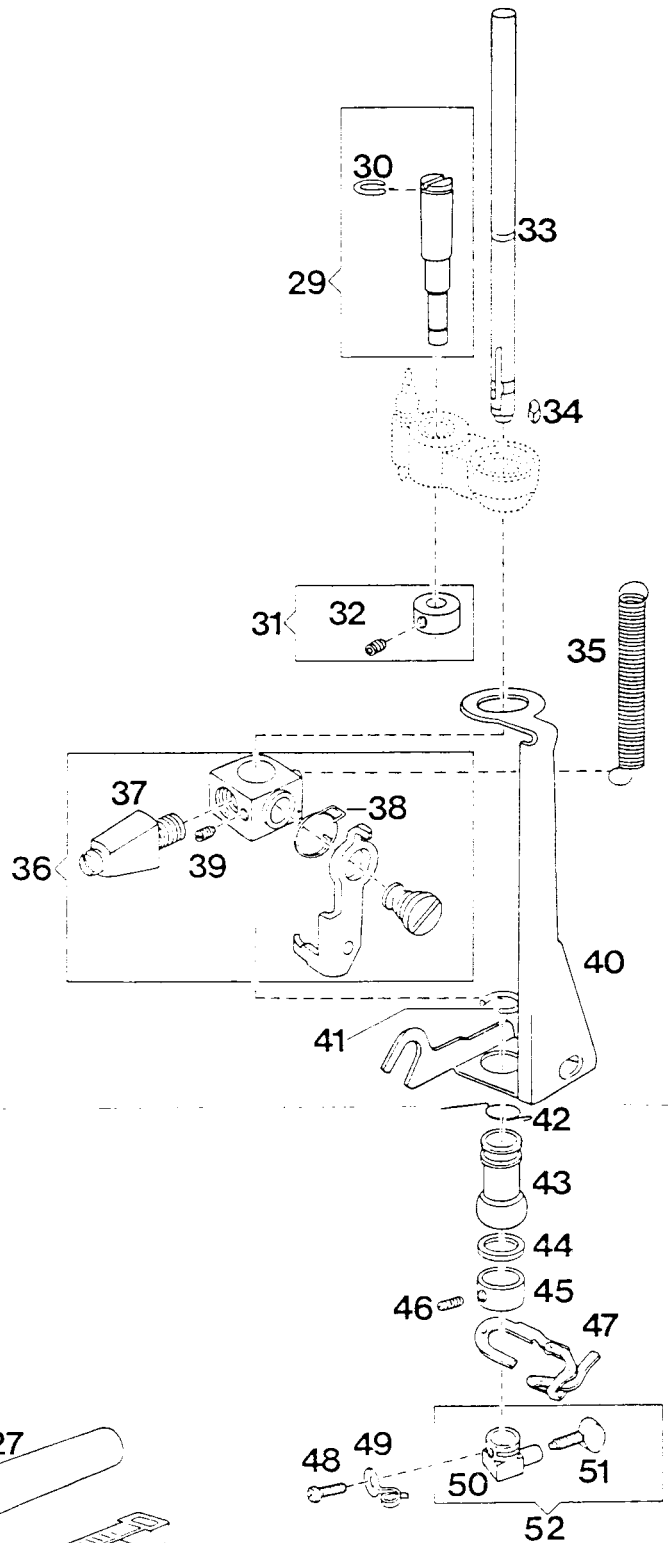
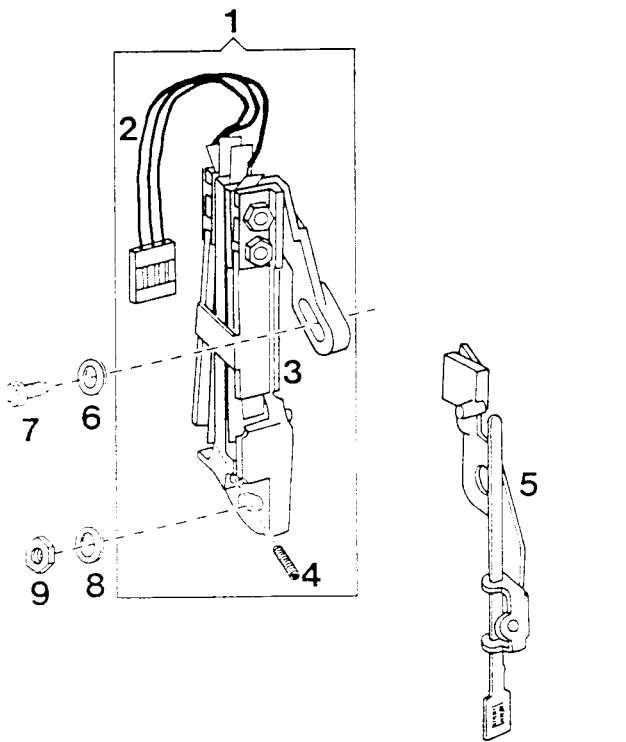
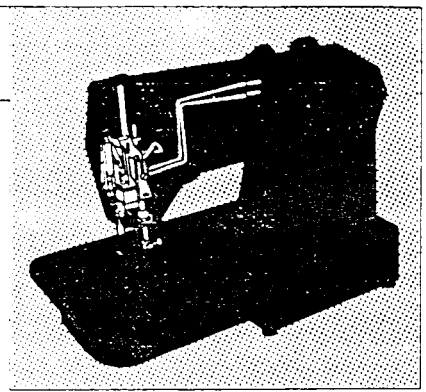
Pos. No.	Part No.	Description
1	502500-451	Bed (Convertible) Lid with Bed Leg (back) cpl. 502198-451, 502328, 514560-451, 502353, 502200, 507309, 502201 and 502203-451
2	<u>502198-451</u>	Bed (Convertible) Lid cpl. 502470, 514556-451
3	<u>502470-000</u>	Bed (Convertible) Lid Stud cpl.
4	514556-451	Bed (Convertible) Lid Set Screw
5	502200-000	Bed (Convertible) Lid Bracket Stud
6	502201-000	Bed (Convertible) Lid Bracket Compression Spring
7	507309-000	Bed (Convertible) Lid Bracket Retaining Ring
8	502328-000	Bed (Convertible) Lid Bracket
9	502203-451	Bed Leg (back) cpl.
10	506499-000	Bed Leg (back) Locating Pin
11	502353-000	Bed (Convertible) Lid Bracket Washer
12	514560-451	Bed (Convertible) Lid Bracket Screw
13	514629-451	Bed Leg (back) Screw (2x)
14	502472-451	Convertible Bed Leg Cover cpl. with Capacitor Unit 502329-451, 503251-000
15	503251-000	Capacitor with Harness cpl.
16	503252-000	Capacitor
17	502329-451	Convertible Bed Leg Cover
18	514670-451	Convertible Bed Leg Cover Screw (2x)
19	172203-000	Bed Leg (back) Cushion
20	514520-805	Bed Leg (back) Cushion Screw
21	502452-451	Arm Top Cover cpl. 502453-451, 503320, 502455, 502469, 514648
22	502469-000	Arm Top Cover Guide Plate
23	502455-000	Arm Top Cover Spring
24	514648-451	Arm Top Cover Screw (2x)
25	503320-000	Arm Top Cover Stabilizer Insulating Strip
26	502420-451	Arm Spool Pin cpl.
27	507139-452	Arm Spool Pin
28	503336-451	Arm Spool Pin Cushion
29	514675-451	Arm Spool Pin Screw (2x)
30	192238-451	Arm Top Cover Lid Thread Guide
31	514675-451	Arm Top Cover Lid Thread Guide Screw
32	502418-451	Face Plate cpl.
33	514509-830	Face Plate Screw (2x)
34	514655-451	Face Plate Mounting Screw (2x)
35	503324-451	Bed (Convertible) Lid Spacer
36	503328-451	Arm & Bed (Painted and Ornamented)
37	503285-451	Override Dial Panel cpl. 604824-451, 503284
38	503284-000	Override Dial Panel Spring
39	604824-000	Override Dial Panel
40	502445-451	Bed Cover Plate (right end)
41	511254-000	Bed Cover Plate (right end) Spring (2x)
42	511239-451	Bed Plug (Front, Plastic)
43	172203-000	Bed Cushion (2x)
44	140809-805	Bed Cushion Screw (2x)
45	502442-451	Bed Cover Plate (Bottom) cpl.
46	514670-451	Bed Cover Plate (Bottom) Screw (2x)
47	511077-000	Slide Plate Spring
48	514515-451	Slide Plate Spring Screw
49	506433-000	See-thru Slide Plate cpl.
50	502323-451	Bed Cover (Convertible) cpl. 502326-451, 172203, 514520-805, 500783
51	502326-451	Bed Cover (Convertible)
52	500783-000	Bed Cover (Convertible) Cushion Screw Nut
53	172003-000	Bed Cover (Convertible) Cushion
54	514520-805	Bed Cover (Convertible) Cushion Screw
55	500277-819	Bed Cover (Convertible) Screw

116
116030

List of Parts for 1000 Machine

Pos. No.	Part No.	Description
1	514649-452	Thread Take-up Lever Link Hinge Stud Set Screw
2	511380-000	Thread Take-up Stud cpl.
3	502339-000	Thread Take-up Lever cpl. with Hinge Stud
4	502342-000	Needle Bar Connecting Link cpl. 507650, 502343
5	507650-000	Needle Bar Connecting Link
6	502343-000	Needle Bar Connecting Stud
7	172043-000	Needle Bar Connecting Hinge Pin
8	502338-000	Thread Take-up Lever cpl. with Needle Bar Connecting Link 511380, 502339, 502342, 507650, 502343, 172043
9	514556-451	Thread Take-up Stud Set Screw
10	502331-000	Arm Shaft (horizontal) with 514556-451
11	506163-000	Needle Bar Crank Washer (2x)
12	507894-000	Arm Shaft (horizontal) Collar cpl.
13	514556-451	Arm Shaft (horizontal) Collar Set Screw
14	502333-000	Synchroniser cpl.
15	514662-451	Synchroniser Screw
16	514654-451	Synchroniser Set Screw
17	507895-002	Arm Shaft Belt Drive Pulley with Screw cpl.
18	514562-451	Arm Shaft Belt Drive Pulley Screw
19	603975-000	Hand Wheel Drive Belt
20	514566-451	Hand Wheel Set Screw
21	507938-454	Hand Wheel (Motor Drive) cpl.
22	604147-002	Motor Pulley Assembly
23	514509-830	Timing Belt Pulley Screw
24	604431-002	Motor Pulley Assembly cpl.
25	503353-000	Presser Bar Pressure Lever cpl. (see group 3 Pos. No. 17)
26	502463-000	Presser Bar Pressure Regulating Knob
27	502484-000	Presser Bar Pressure Regulating Extension Pin
28	502462-000	Tension Releasing Pin
29	502461-000	Presser Bar Guide Bracket cpl.
30	000453-830	Presser Bar Guide Bracket Set Screw
31	502362-000	Presser Bar Lifter
32	514535-451	Presser Bar Lifter Hinge Screw
33	503346-000	Presser Bar Spring
34	502360-000	Presser Bar
35	000453-830	Presser Bar Bushing Set Screw
36	506449-000	Presser Bar Bushing
37	354135-453	Presser Foot Thumb Screw
38	163706-000	Presser Foot Shank
39	502280-000	Presser Foot Plate cpl.
40	502398-000	Throat Plate for Zig-Zag Stitching
41	500311-830	Throat Plate Catch Pin Screw (2x)
42	507197-000	Throat Plate Catch Pin (left and right)
43	507196-000	Throat Plate Securing Magnet (2x)
44	502414-000	Safety Micro Switch Actuating Stud (Plastic)
45	502415-000	Safety Micro Switch cpl. with Harness
46	502413-000	Safety Micro Switch Mounting Clamp
47	514670-451	Safety Micro Switch Mounting Clamp Screw





List of Parts for 1000 Machine

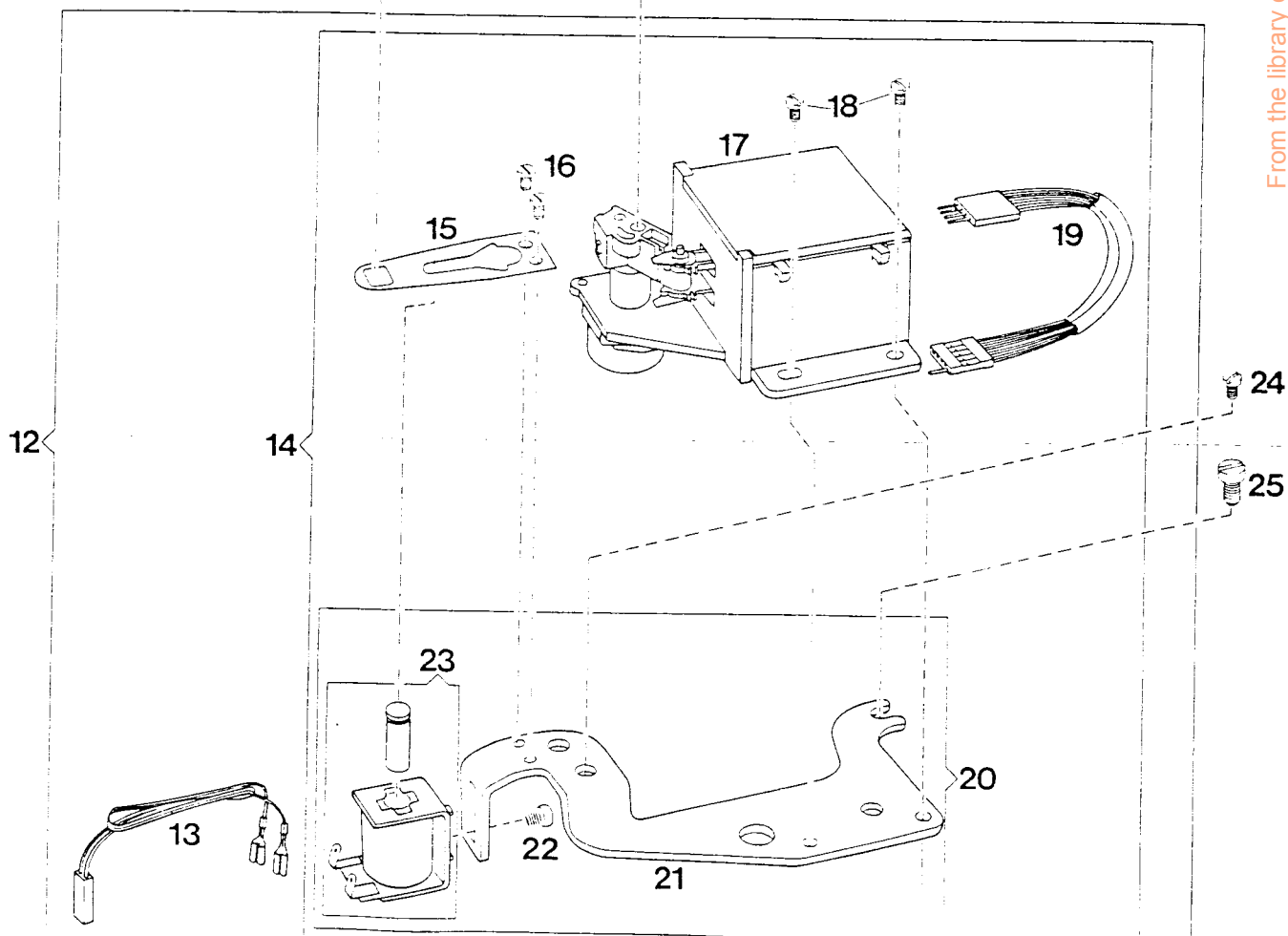
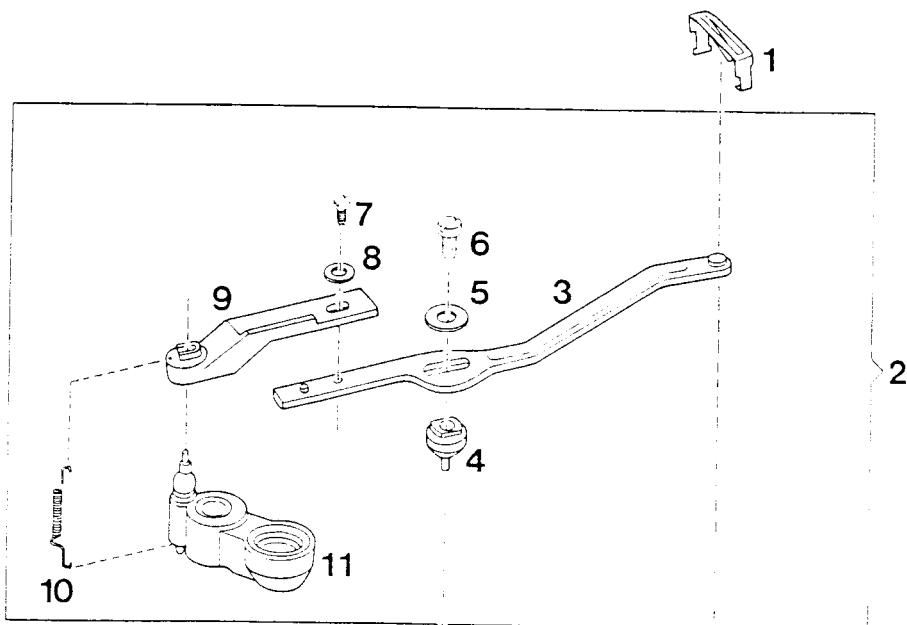
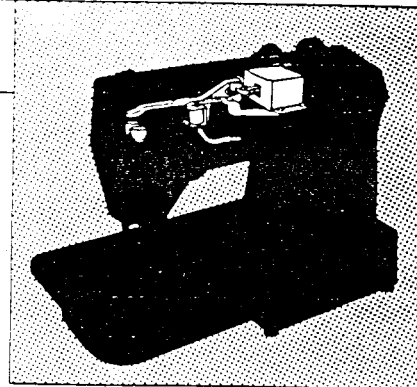
Pos. No.	Part No.	Description
1	502492-000	Buttonholer Switch cpl. with Harness and Connector 604993-001, 619607, 354535-451
2	619607-000	Buttonholer Switch Harness cpl.
3	604993-001	Buttonholer Switch cpl.
4	354535-451	Buttonholer Switch Body Set Screw
5	605003-001	Buttonholer Kickout Shaft Tripping Rod (Retractable) Lever
6	506343-000	Buttonholer Switch Screw Washer
7	514650-451	Buttonholer Switch Screw
8	502495-000	Buttonholer Switch Screw Stud Washer
9	514607-000	Buttonholer Switch Screw Stud Nut
10	503286-000	Presser Bar Pressure Regulating Knob and Buttonholer Switch
11	502369-000	Bearing Plate cpl. with Harness 502369, 619605 Presser Bar Pressure Regulating Knob and Buttonholer Switch Bearing Plate cpl. 502488, 503353, 503354, 503323, 506343 (2x), 514674-451, 503289-451, 514650-451, 503323, 503356, 514635-451
12	502488-000	Bearing Plate cpl. with Stud
13	503289-451	Needle Bar Recoil Spring
14	506343-000	Needle Bar Recoil Spring Washer
15	514650-451	Needle Bar Recoil Spring Screw
16	503354-000	Presser Bar Pressure Lever Hinge Screw (Eccentric)
17	503353-000	Presser Bar Pressure Lever cpl.
18	503323-000	Chain Stitch Thread Guide
19	506343-000	Chain Stitch Thread Guide Washer
20	514674-451	Chain Stitch Thread Guide Nut
21	514635-451	Skip Stitch Actuating Solenoid Screw
22	503256-000	Skip Stitch Actuating Solenoid Plunger Stop
23	503356-000	Skip Stitch Actuating Solenoid cpl.
24	619605-000	Skip Stitch Actuating Solenoid Plunger Stop
25	514560-451	Skip Stitch Actuating Solenoid Harness cpl.
26	514656-451	Set Screw
27	619636-000	Buttonhole Switch Screw Stud
28	507890-000	Insulating Tube
29	502364-000	Ty-rap (Wire Strap)
30	506199-000	Needle Bar Vibrating Bracket Hinge Pin (Eccentric) cpl.
31	503288-000	Needle Bar Vibrating Bracket Hinge Pin (Eccentric) Retaining Ring (upper)
32	514685-451	Needle Bar Vibrating Bracket Hinge Pin (Eccentric) Collar cpl.
33	503281-000	Needle Bar Vibrating Bracket Hinge Pin (Eccentric) Collar Set Screw
34	163822-000	Needle Bar
35	502349-000	Needle Bar Clip
36	502344-000	Needle Bar Latch Carrier Spring
37	514657-000	Needle Bar Latch Carrier cpl.
38	502464-000	Needle Bar Latch Carrier Socket Screw Stud cpl.
39	514529-833	Needle Bar Latch Spring
40	502348-000	Needle Bar Latch Adjusting Pin (Eccentric) Set Screw
41	503360-000	Needle Bar Latch Releasing Lever
42	503246-000	Needle Bar Latch Releasing Lever Circular Clip
43	502324-000	Needle Bar Latch Releasing Lever Spring
44	507379-000	Needle Bar Ball Bushing (lower)
45	502485-000	Needle Bar Ball Bushing (lower) Socket (lower)
46	050311-830	Needle Bar Ball Bushing (lower) Adjusting Collar
47	502379-000	Needle Bar Ball Bushing (lower) Adjusting Set Screw
48	141453-829	Thread Guide (lower) cpl.
49	163431-000	Needle Clamp Body, Needle Clamp Thread Guide and Needle Stop Screw
50	506142-000	Needle Clamp Thread Guide
51	511171-829	Needle Clamp Body
52	511279-000	Needle Thumb Screw
		Needle Clamp cpl. 506142, 511171-829

List of Parts for 1000 Machine

Pos. No.	Part No.	Description
1	312270-000	Needle Bar Driving Arm Extension Retaining Spring
2	503345-000	Needle Bar Vibrating Bracket with Needle Bar Driving Arm cpl. 502335, 503319, 502384, 502356, 506343, 514650-451, 502387, 155577, 514635-451
3	502384-000	Needle Bar Driving Arm cpl.
4	502387-000	Needle Bar Driving Arm Positioning Stud
5	155577-000	Needle Bar Driving Arm Positioning Stud Washer
6	514635-451	Needle Bar Driving Arm Positioning Stud Screw
7	514650-451	Needle Bar Driving Arm Ball Joint Set Screw
8	506343-000	Needle Bar Driving Arm Ball Joint Washer
9	502356-000	Needle Bar Driving Arm Ball Joint
10	503319-000	Needle Bar Driving Arm Ball Joint Spring
11	502335-000	Needle Bar Driving Bracket cpl.
12	503283-000	Bight Drive Linear Motor with Bracket, Safety Solenoid and Harness cpl. 502382, 619696
13	619606-000	Bight Drive Linear Motor Safety Solenoid Harness cpl.
14	502382-000	Bight Drive Linear Motor with Bracket and Safety Solenoid cpl. 503318, 312216, 619614, 514648-451, 382639, 514676-451
15	382639-000	Needle Bar Driving Arm Positioning Lever
16	514676-451	Needle Bar Driving Arm Positioning Lever Screw (2x)
17	312216-000	Bight Drive Linear Motor with Bight Driving Arm 312193
18	514648-451	Bight Drive Linear Motor Mounting Screw (2x)
19	619414-000	Bight Drive Linear Motor Harness (Extension)
20	503318-000	Bight Drive Linear Motor Bracket with Safety Solenoid cpl. 503383, 503372, 514671-451
21	502383-000	Bight Drive Linear Motor Bracket
22	514671-451	Needle Bar Driving Arm Safety Solenoid Screw
23	503372-000	Needle Bar Driving Arm Safety Solenoid
24	514560-451	Bight Drive Linear Motor Bracket Screw (front)
25	514680-451	Bight Drive Linear Motor Bracket Screw (back)

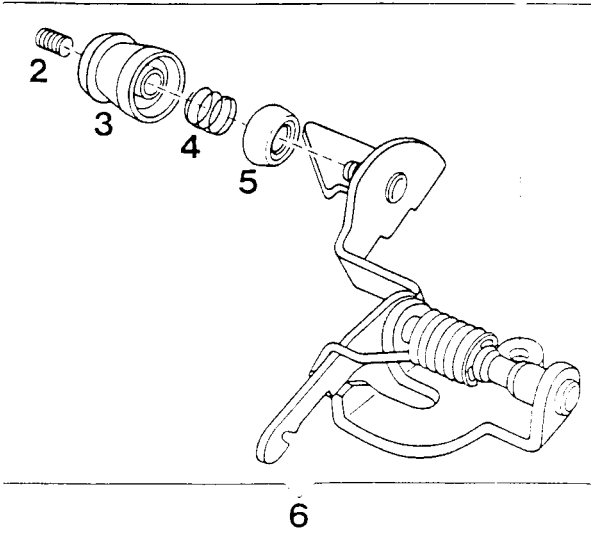
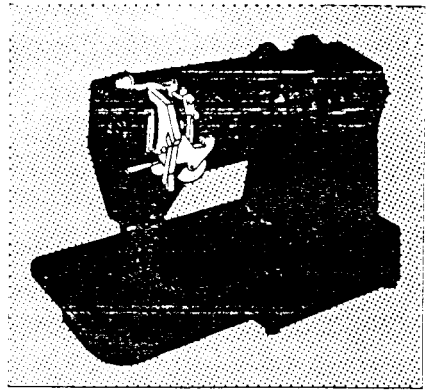
4

1000 G3

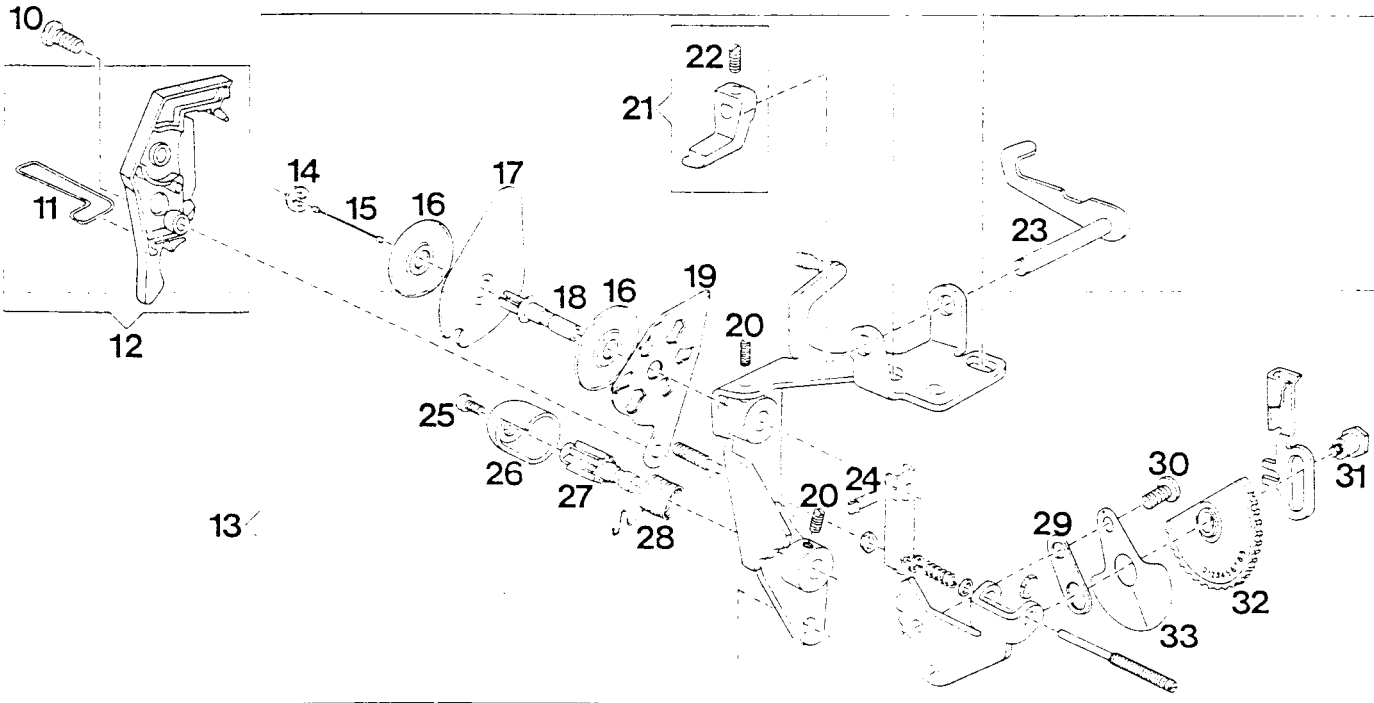
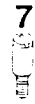


5

1000 G3



9



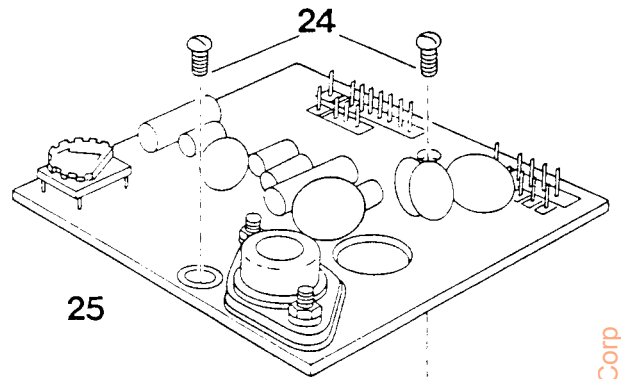
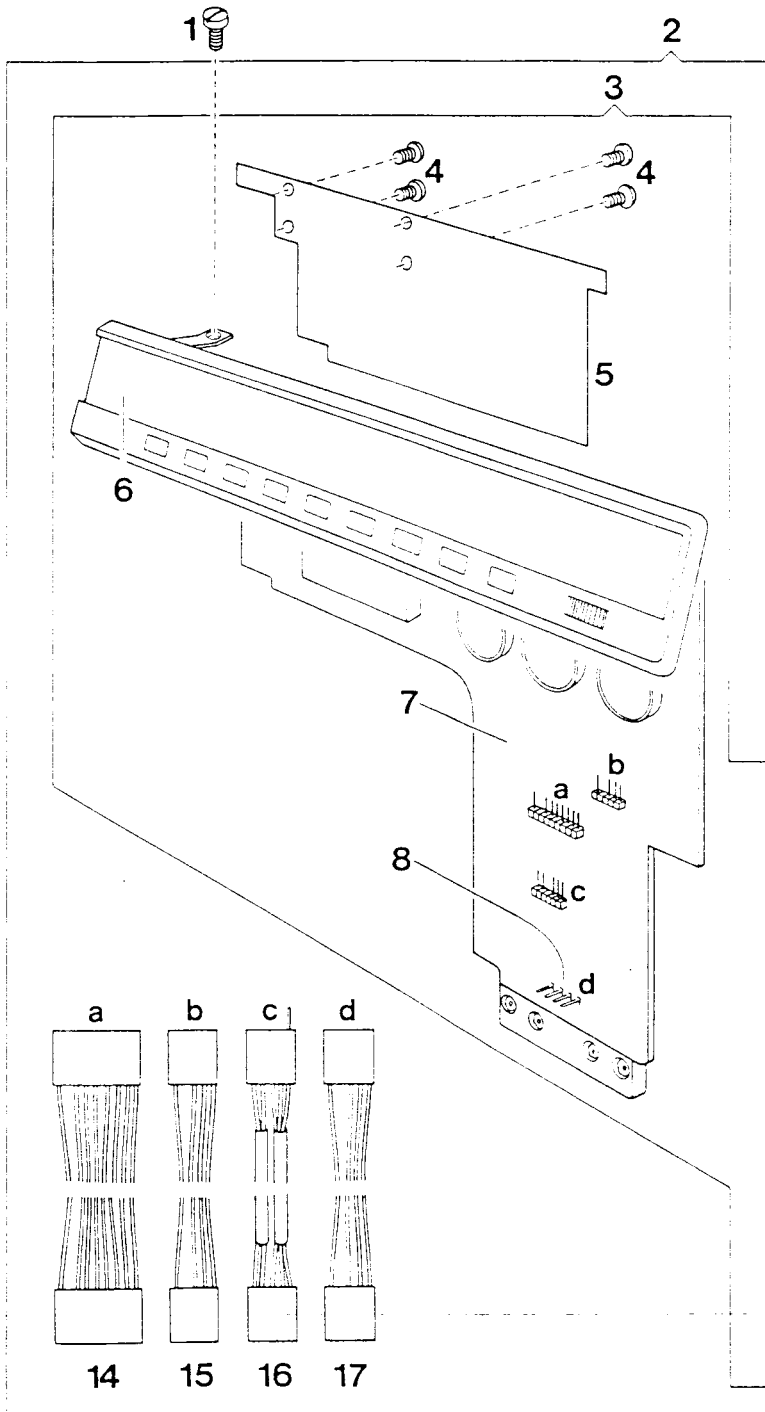
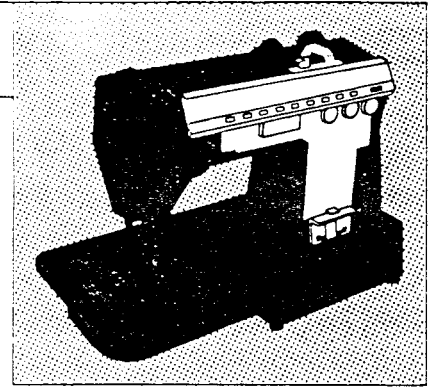
List of Parts for 1000 Machine

Pos. No.	Part No.	Description
1	514667-451	Pretension Mounting Screw
2	141822-451	Pretension Cap Set Screw
3	382690-000	Pretension Cap
4	174418-000	Pretension Spring
5	045915-000	Pretension Disc
6	502435-000	Pretension cpl.
7	514678-451	Tension Screw
8	514560-451	Tension Screw
9	502426-451	Tension (Graduated Adjustable) cpl. 502427-451, 502428-451, 514639-451
10	514639-451	Thread Take-up Spring Thread Guard Screw
11	502483-000	Thread Take-up Spring Thread Guard Bar
12	502428-451	Thread Take-up Spring thread Guard cpl.
13	502427-451	Tension cpl.
14	174398-000	Tension Disc Pressure Plate
15	181857-000	Tension Disc Pressure Pin
16	382586-000	Tension Disc (Small) (2x)
17	503273-000	Tension Disc (Large)
18	503270-000	Tension Stud
19	502430-451	Tension Guide Plate
20	514645-451	Tension Stud Bushing Screw (2x)
21	502424-000	Tension Releasing Lever cpl.
22	514509-830	Tension Releasing Lever Screw
23	502422-000	Tension Release Actuating Lever cpl.
24	172906-000	Tension Regulating Slide Plate Spring Clip
25	354049-451	Thread Take-up Spring Adjusting Screw
26	181864-451	Thread Take-up Spring Cap and Slack Thread Regulator
27	181875-000	Thread Take-up Spring Stud and Positioning Collar
28	181872-000	Thread Take-up Spring
29	381933-000	Tension Indicator Spacer
30	514635-451	Tension Indicator Screw
31	514669-451	Tension Indicator Dial Hinge Screw
32	181848-000	Tension Indicator Dial (with Graphics)
33	182222-000	Tension Indicator
34	514670-451	Tension Screw

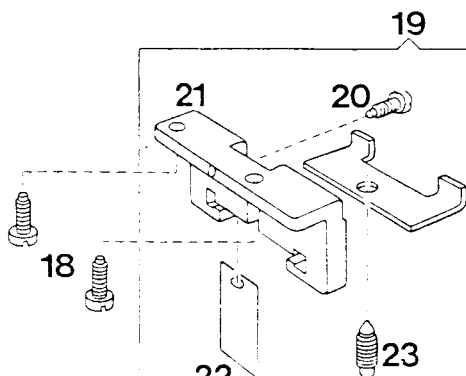
List of Parts for 1000 Machine

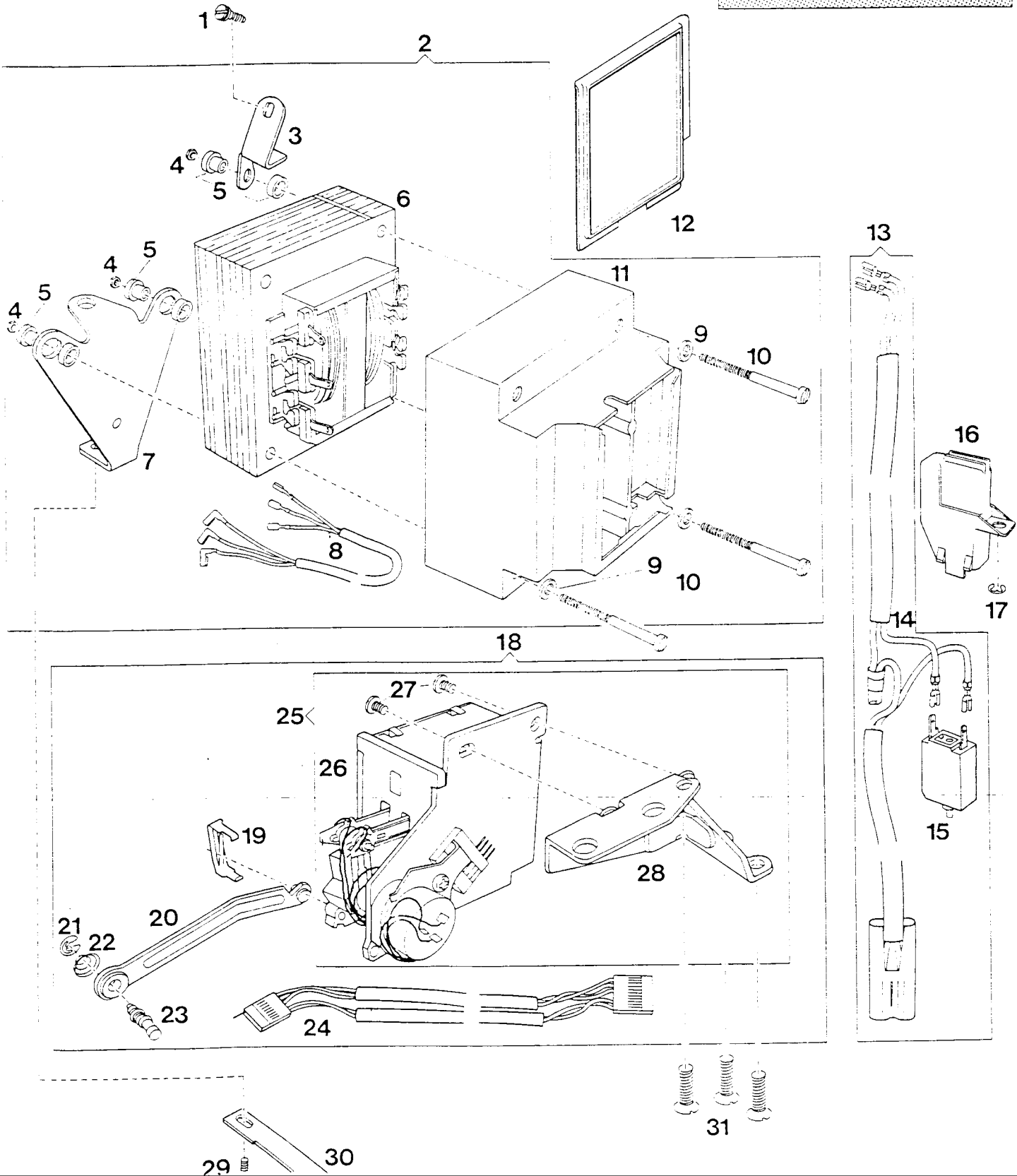
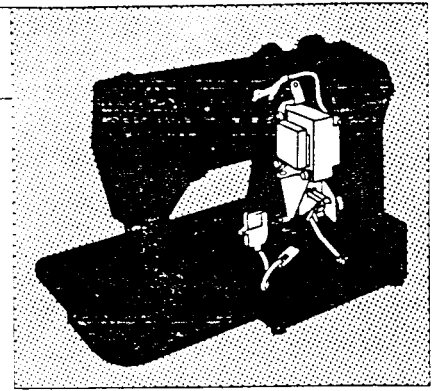
Pos. No.	Part No.	Description
1	514664-451	Pattern Selection Button Carrier (Assy) with P. C. Board and Synchronizer Screw (front)
2	503282-000	Pattern Selection Button Carrier (Assy) with P. C. Board, Synchronizer and Harness cpl.
3	604836-001	604836-001, 619609, 619610, 619613, 619611 Pattern Selection Button Carrier (Assy) with P. C. Board and Synchronizer cpl.
4	604848-003	604848-003, 503263-000, 604814-001, 605563-001, 604938-001, 604848-004 (2) Control P. C. Board Assy. Fastening Screw
5	503263-000	Control P. C. Board Insulation
6	605069-001	Pattern Selection Button Carrier cpl.
7	604814-001	Control P. C. Board Assembly
8	605563-001	Pin (.025 Square Post)
9	604938-001	Synchronizer Switch and Solenoid Assembly 604880-001, 604848-003, 604812-001
10	604848-004	Synchronizer Bracket Fastening Screw (2x)
11	604880-001	Solenoid Holding Block Fastening Screw
12	604848-003	Solenoid Mounting Bracket Screw
13	604812-001	Solenoid and Bracket Assembly
14	619609-000	(a) Harness cpl. P. C. Board Power Supply Board
15	619610-000	(b) Harness cpl. P. C. Board Power Supply Board
16	619613-000	(c) Harness cpl. P. C. Board Bight Drive Linear Motor
17	619611-000	(d) Harness cpl. P. C. Board Power Supply Board
18	514639-451	Transistor Heat Sink Connecting Bracket Screw (2x)
19	503274-000	Transistor Heat Sink Connecting Bracket cpl. 514650-451, 604838-002, 604877-001, 604878-001
20	514650-451	Heat Sink Clamp Retaining Spring Screw
21	604838-002	Transistor Heat Sink Connecting Bracket (Machined)
22	604877-001	Transistor Heat Sink Clamp Retaining Spring
23	604878-001	Transistor heat Sink Clamp Screw
24	604848-004	Power Supply P. C. Board Screw (back, front)
25	604829-001	Power Supply P. C. Board Assembly
26	514560-451	Pattern Selection Button Carrier (Assy) with P. C. Board and Synchronizer Screw (back)
27	514647-451	Arm Top Cover Mounting Screw

60555-001 Logic Servo Bd.



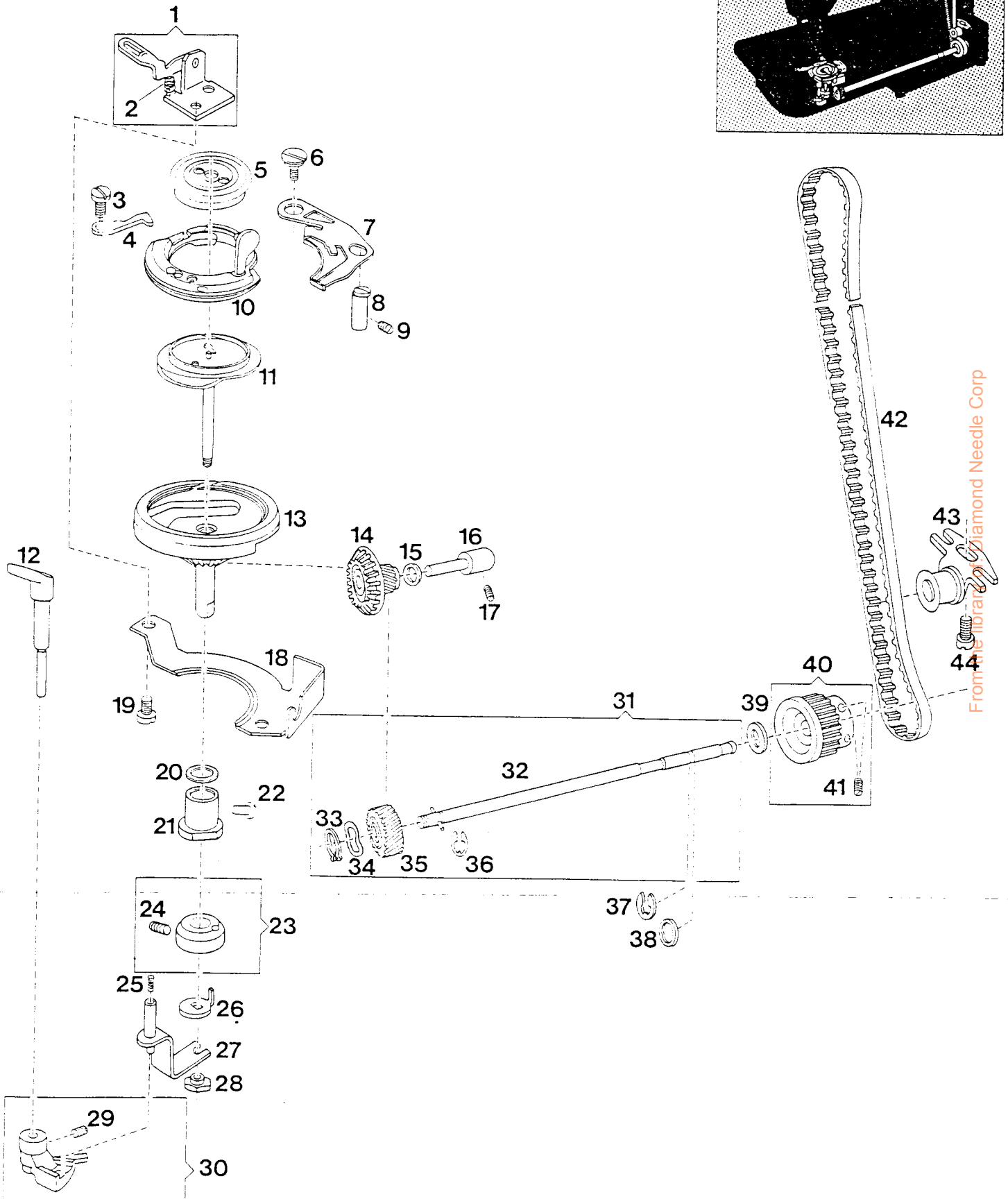
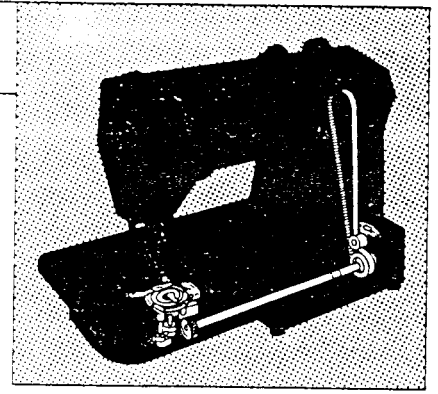
From the lib. of the Brother and Needle Corp

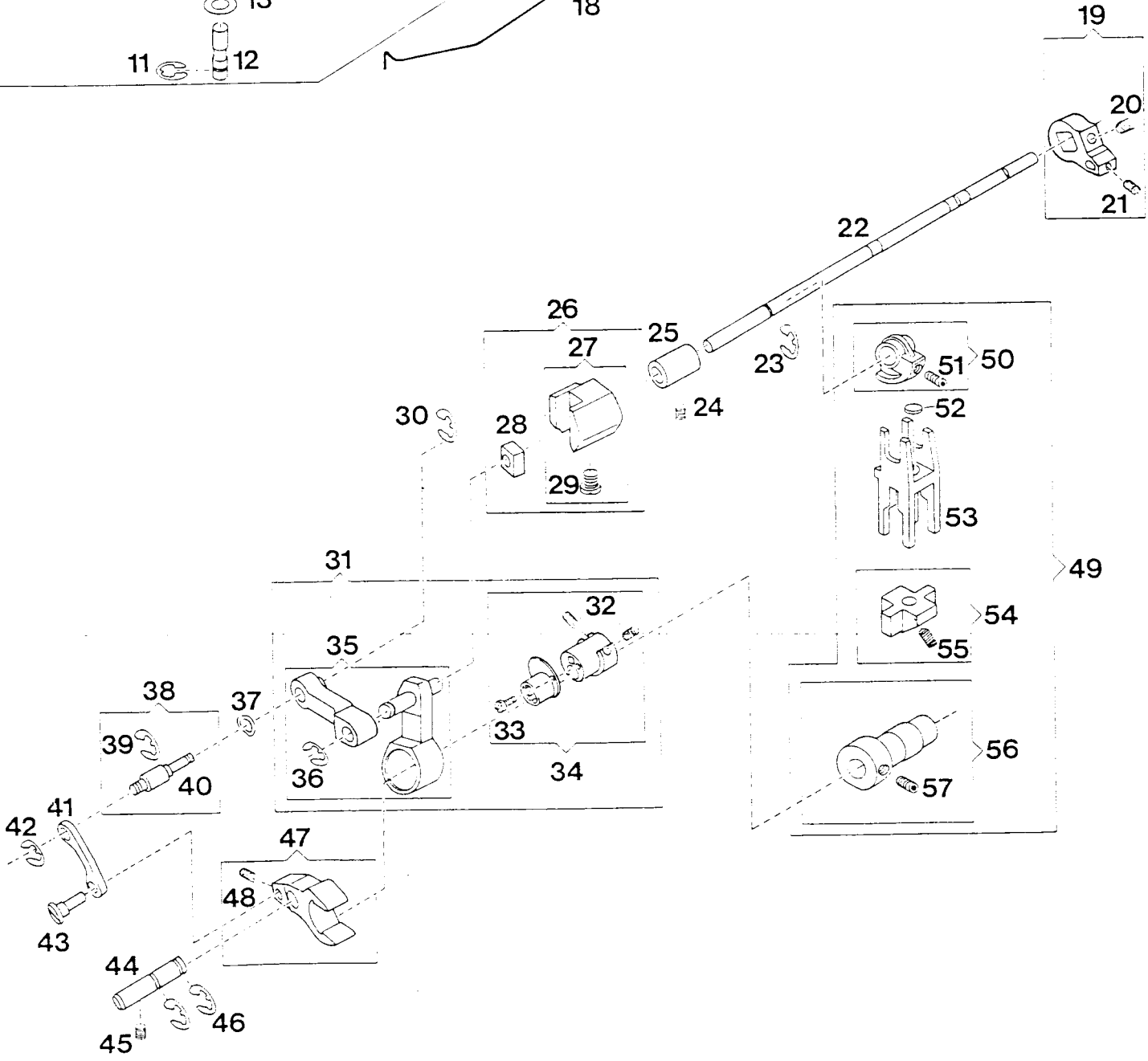
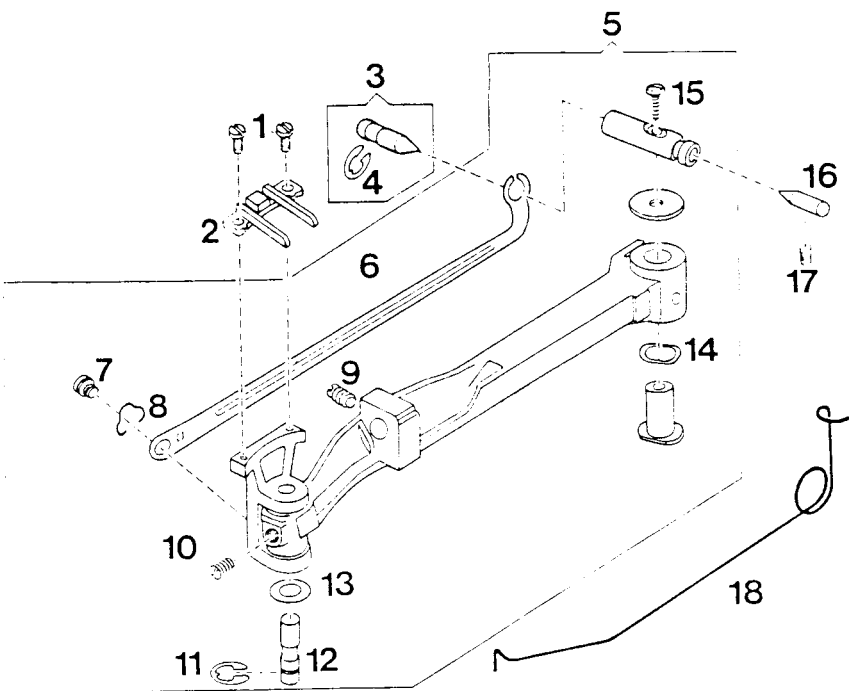
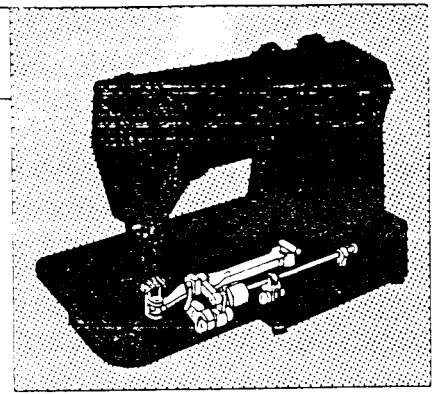




List of Parts for 1000 Machine

Pos. No.	Part No.	Description
1	153036-000	Thread Pull-off cpl.
2	153039-000	Thread Pull-off Spring
3	514507-452	Rotating Hook Bobbin Case Position finger Screw
4	153022-000	Rotating Hook Bobbin Case Position finger
5	506417-000	Rotating Hook Bobbin cpl.
6	514561-451	Rotating Hook Bobbin Case Cushion Spring Bracket Hinge Screw
7	511477-000	Rotating Hook Bobbin Case Cushion Spring Bracket
8	153043-000	Rotating Hook Bobbin Case Cushion Spring Bracket Adjusting Stud (eccentric)
9	000624-830	Rotating Hook Bobbin Case Cushion Spring Bracket Adjusting Stud (eccentric) Set Screw
10	153143-000	Rotating Hook Bobbin Case cpl.
11	153024-000	Rotating Hook Bobbin Driver cpl.
12	153406-452	Rotating Hook Bobbin winder Lever Shaft with Lever (molded)
13	153021-000	Rotating Hook cpl.
14	155732-000	Rotating Hook Drive Bevel and Helical Gear (plastic)
15	507999-000	Rotating Hook Drive Bevel and Helical Gear Stud (eccentric) Washer
16	155729-000	Rotating Hook Drive Bevel and Helical Gear (plastic) Stud (eccentric)
17	000449-830	Rotating Hook Drive Bevel and Helical Gear Stud Set Screw
18	511317-000	Rotating Hook Drive Gear Cover Plate
19	000208-833	Thread Pull-off Mounting Bracket Screw
20	506164-000	Damping Washer
21	506173-000	Rotating Hook Flanged Bushing (eccentric)
22	514532-451	Rotating Hook Flange Bushing (eccentric) Set Screw
23	153034-C30	Rotating Hook Retaining Collar cpl.
24	000624-830	Rotating Hook Retaining Collar Set Screw
25	511175-000	Rotating Hook Bobbin Winder Actuating Lever Shaft Cam Follower Spring
26	163247-000	Rotating Hook Bobbin Driver Locator
27	153411-000	Rotating Hook Bobbin Winder Lifting Bracket Assembly cpl.
28	500799-452	Rotating Hook Bobbin Driver Locator Nut
29	514509-830	Rotating Hook Bobbin Winder Actuating Lever Shaft Screw
30	153408-000	Rotating Hook Bobbin Winder Actuating Lever Shaft Cam cpl.
31	507923-000	Feed and Rotating Hook Drive Shaft with Helical Gear cpl. 507924, 507685, 507684, 507800, 502744
32	507924-000	Feed and Rotating Hook Drive Shaft cpl.
33	507685-000	Feed and Rotating Hook Drive Shaft Helical Gear (plastic, front) Retaining Ring
34	507684-000	Feed and Rotating Hook Drive Shaft Helical Gear (plastic, front) Spring Washer
35	507800-000	Feed and Rotating Hook Drive Shaft Helical Gear (plastic, front)
36	502744-000	Feed and Rotating Hook Drive Shaft Helical Gear (plastic, front) Retaining Ring
37	502744-000	Feed and Rotating Hook Drive Shaft Retaining Ring
38	511384-000	Feed and Rotating Hook Drive Shaft Washer
39	506164-000	Damping Washer
40	507900-000	Feed and Rotating Hook Drive Shaft Belt Drive Pulley cpl.
41	514556-451	Feed and Rotating Hook Drive Shaft Belt Drive Pulley Screw (2)
42	507904-000	Feed and Rotating Hook Drive Shaft Belt
43	507903-000	Arm Shaft Belt Idler Pulley Bracket cpl.
44	514560-451	Arm Shaft Belt Idler Pulley Bracket Screw



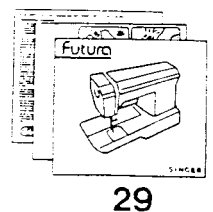
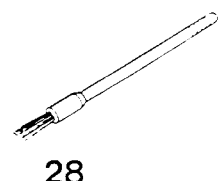
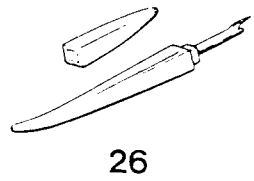
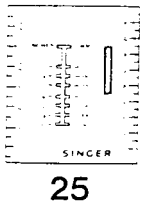
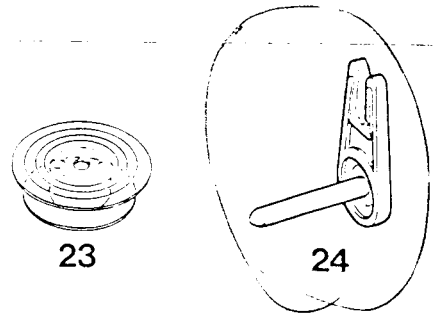
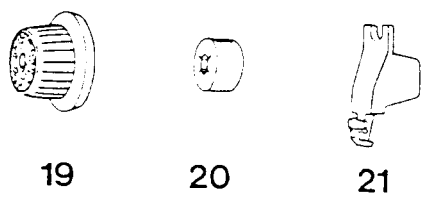
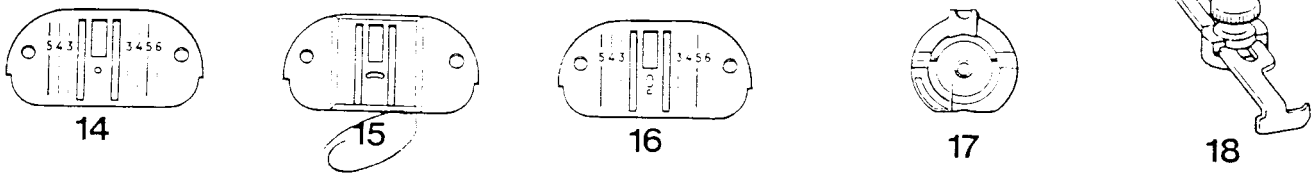
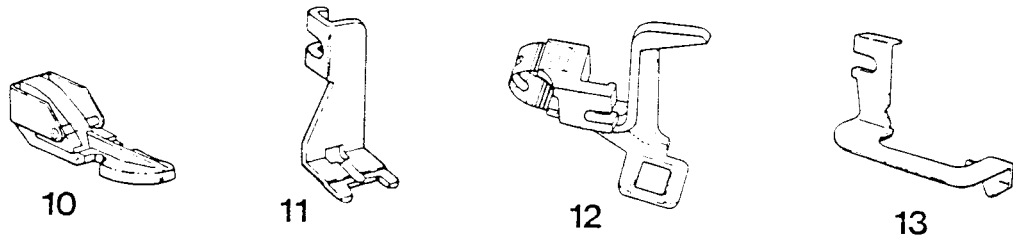
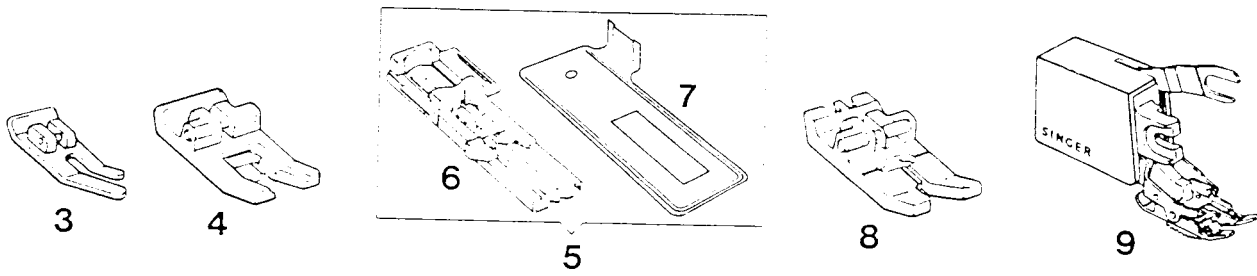
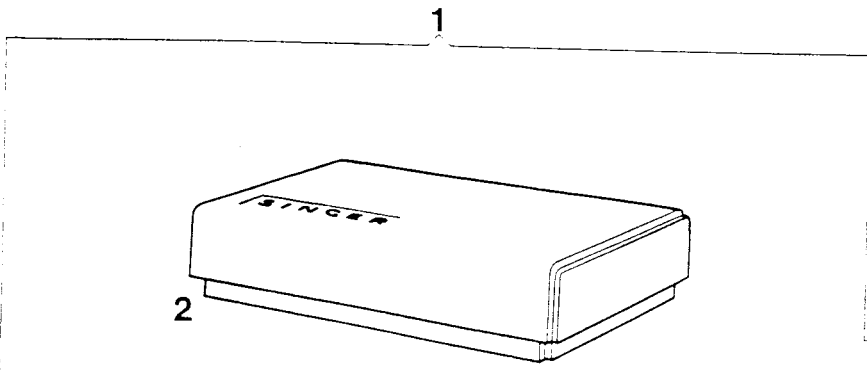
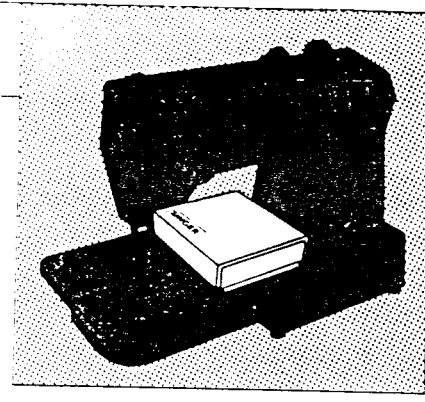


List of Parts for 1000 Machine

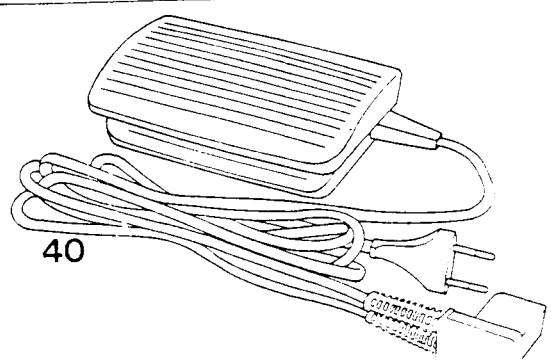
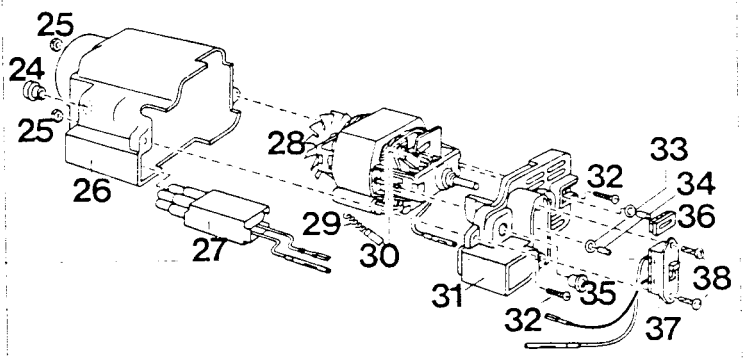
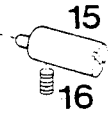
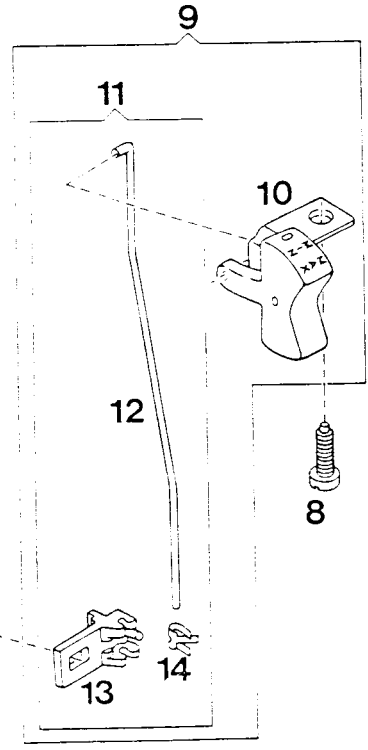
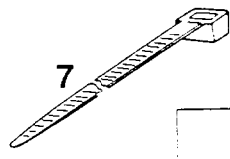
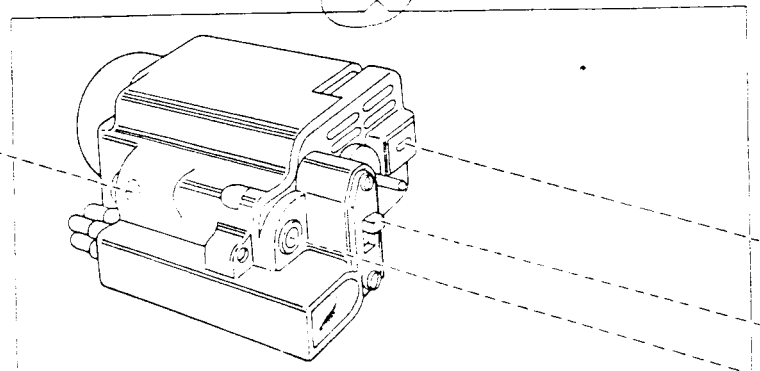
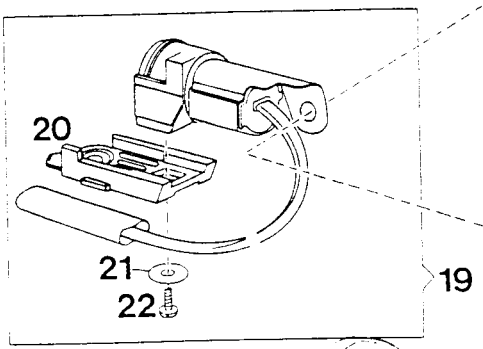
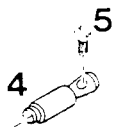
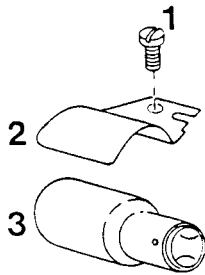
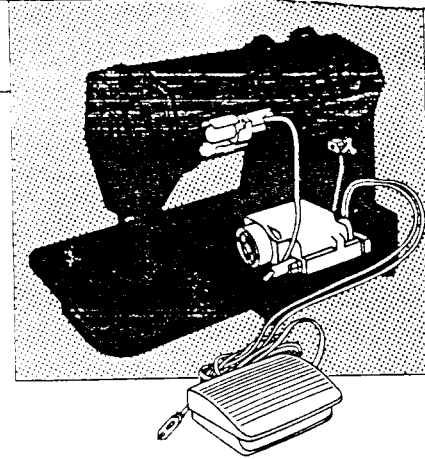
Pos. No.	Part No.	Description
1	000208-830	Feed Dog Screw (2x)
2	506194-000	Feed Dog (machined)
3	502310-000	Feed Bar Guide Pin (eccentric) Center cpl.
4	511213-000	Feed Bar Guide Pin (eccentric) Center (back) Retaining Ring
5	507826-000	Feed Bar cpl. 511007, 500356-850, 511075, 000448-830, 000624-830, 511213, 511052, 511210, 511211, 514677-451
6	174216-000	Feed Dog Holder Compensating Link
7	500356-850	Feed Dog Holder Compensating Link Screw Stud
8	511075-000	Feed Dog Holder Compensating Link Retaining Spring
9	000448-830	Feed Bar Connection and Feed Lifting Fork Connection Hinge Stud (eccentric) Set Screw
10	000624-830	Feed Dog Holder Stud Screw
11	511213-000	Feed Dog Holder Stud Retaining Ring
12	511052-000	Feed Dog Holder Stud
13	511210-000	Feed Dog Holder Washer
14	511211-000	Feed Bar Guide Hinge Pin Spring Washer
15	514677-451	Feed Bar Hinge Pin Fillister Screw
16	507917-000	Feed Bar Guide Pin (eccentric) Center (front)
17	514556-451	Feed Bar Guide Pin (eccentric) Center (front) Set Screw
18	503290-000	Feed Bar Guide Pin Spring
19	502403-000	Feed Regulator Shaft Controlling Lever cpl.
20	514654-451	Feed Regulating Shaft Controlling Lever Set Screw
21	514645-451	Feed Regulating Shaft Controlling Lever Stud (eccentric) Set Screw
22	502412-000	Feed Regulator Shaft
23	502744-000	Feed Regulator Shaft Retaining Ring
24	000448-830	Feed Regulator Shaft Bushing Set Screw
25	511331-000	Feed Regulator Shaft Bushing (front)
26	503344-000	Feed Regulator and Feed Regulator Slide Block cpl. 503340, 511030
27	503340-000	Feed Regulator cpl.
28	511030-000	Feed Regulator Slide Block
29	500391-803	Feed Regulator Set Screw
30	511063-000	Feed Bar Connection Ball Bearing Retaining Ring
31	507936-000	Feed Bar Connection with Eccentric cpl. 507903, 511482
32	514556-451	Feed Lifting Cam and Feed (eccentric) Set Screw (2x)
33	514632-451	Feed Lifting Cam and Feed (eccentric) Screw
34	507903-000	Feed Lifting Cam Feed (eccentric) cpl.
35	511482-000	Feed Bar Drive Connection cpl.
36	511213-000	Feed Regulator Slide Block Stud Retaining Ring
37	507722-000	Feed Bar Connection Spring Washer
38	511076-000	Feed Bar Connection and Feed Lifting Fork Connection Hinge Stud (eccentric) cpl. 511213, 511044
39	511213-000	Feed Bar Connection and Feed Lifting Fork Connection Hinge Stud (eccentric) Retaining Ring
40	511044-000	Feed Bar Connection and Feed Lifting Fork Connection Hinge Stud (eccentric)
41	511016-000	Feed Lifting Fork Connection
42	511063-000	Feed Lifting Fork Connection Retaining Ring
43	511056-000	Feed Lifting Fork Connection Hinge Stud (eccentric)
44	511057-000	Feed Lifting Fork Hinge Stud
45	000449-830	Feed Lifting Fork Hinge Stud Set Screw
46	511213-000	Feed Lifting Fork Hinge Stud Retaining Ring (2x)
47	503325-000	Feed Lifting Fork cpl.
48	514685-451	Feed Lifting Fork Connection Hinge Stud (eccentric) Set Screw
49	503369-000	Feed Regulator Shaft Stabilizer cpl. 383079, 383084, 383085, 503370, 503371
50	383079-000	Feed Regulator Shaft Locking Hub cpl. with 354574-451
51	354574-451	Feed Regulator Shaft Locking Hub Screw
52	383084-000	Feed Regulator Locking Disc
53	383085-000	Feed Regulator Lock Guide
54	503370-000	Feed Regulator Shaft Brake Adjusting Block cpl. with 514684-451
55	514684-451	Feed Regulator Shaft Brake Adjusting Block Screw
56	503371-000	Feed Lock Cam cpl. with 514556-451
57	514556-451	Feed Lock Cam Screw

List of Parts for 1000 Machine

Pos. No.	Part No.	Description
1	502446-000	Attachment Set cpl. Packed in Attachment Box No. 506206-451, 502277, 171463, 381164-451, 506377, 506415-452, 171480, 381066, 507909, 171110, 506230, 502458, 506231, 507742, 161172, 511112-451, 507664-454, 503277, 381275, 506417, 381114-451, 511267, 503407, 161977-452, 501750, and 503297
2	506206-451	Attachment Box cpl.
3	502277-000	Straight Stitch Presser Foot Plate cpl.
4	171463-000	Special Purpose Presser Foot Plate (Snap-on Plastic) cpl.
5	381164-451	Buttonhole Presser Foot (1-step) cpl. 381261-451 and 507827
6	381261-451	Buttonhole Presser Foot (1-step) cpl.
7	507827-000	Feed Plate cpl.
8	506377-000	Buttonhole Presser Foot Plate cpl.
9	506415-452	Even Feed Foot cpl.
10	171480-000	Presser Foot Plate for Cording and Slide Fasteners cpl.
11	381066-000	Presser Foot for Button Sewing
12	507909-000	Darning and Embroidery Foot
13	171110-000	Blind Stitch Guide
14	506230-000	Throat Plate for Straight Stitch
15	502458-000	Feed Cover Plate for Darning
16	506231-000	Throat Plate for Chainstitch cpl.
17	507742-000	Chainstitch Loop Retaining Insert
18	161172-000	Seam Guide
19	511112-451	Arm Top Cover Spool Pin Thread Lead-off cpl.
20	507664-454	Arm Top Cover Spool Pin Thread Lead-off (small)
21	503277-000	Needle Threader cpl.
22	381275-000	Needle Pack (Plastic) Containing: Cat. 2020 size 11, 14, 16 Cat. 2025 size 14 Cat. 2045 size 14
23	506417-000	Rotating Hook Bobbin (4x)
24	381114-451	Spool Pin for Twin Needle Sewing
25	511267-000	Buttonhole Size Marking Template
26	503407-000	Seam Ripper
27	161977-452	Screw Driver (Hook Tension)
28	501750-000	Lint Brush
29	503297-	Instruction Form



From the library of: Diamond Needle Corp



>39

List of Electrical Parts for Class 1000 G 3

Pos. No.	Part No.	Description
1	514541-451	Light Shield Screw
2	502394-000	Light Shield
3	194120-007	Bulb 120 Volt 15 W
	-010	Bulb 220 Volt 20 W
	-012	Bulb 250 Volt 20 W
	-013	Bulb 110 Volt 20 W
4	502396-000	Sewing Light Stud
5	514639-451	Sewing Light Stud Screw
6	507878-000	Sewing Light Stud Spring Clip
7	507890-000	Ty-rap (Wire Strap)
8	514639-451	Light Switch-Actuating Lever Rocker Button Bracket Screw
9	502481-451	Light Switch Rocker Button with Actuating Lever and Actuating Bracket (plastic) cpl. 502475-451, 503271
10	502475-451	Light Switch Actuating Lever Rocker Button cpl.
11	503271-000	Light Switch Actuating Lever with Actuating Bracket cpl. 502477, 502479, 382330
12	502477-000	Light Switch Actuating Lever
13	502479-000	Light Switch Actuating Bracket (plastic)
14	382330-000	Light Switch Actuating Lever Spring Clip
15	507930-000	Motor Adjusting Stud (ecc.)
16	514556-451	Motor Adjusting Stud (ecc.) Screw
17	502437-451	Motor Hinge Screw
18	502438-000	Motor Hinge Stud

Parts to be ordered directly from Bonnieres

Territory Code (see Page 26)

A B C D E F . . . K L . O P Q R
G . . M

604530 c03

19	604891-001	Light complete	
	-002	Light complete	
	-003	Light complete	
20	618622-000	Light Lens	
21	931929-035	Washer	
22	618702-002	Screw	
23	604879-001	Motor Complete 220 V	
	-002	Motor Complete 115 V	
	-003	Motor Complete 105 V	
	-004	Motor Complete 240 V	
	-005	Motor Complete 220 V	
	-006	Motor Complete 240 V	
	-007	Motor Complete 115 V	
	-008	Motor Complete 115 V	
24	604229-001	Bushing (see rep. 35)	
25	706404-017	Nut (2x) No. 4-40	
26	604249-002	Dust Cover	
27	604882-001	Receptacle cpl.	
	-006	Receptacle cpl. 115 V.	
	-007	Receptacle cpl.	
28	604411-001	Motor Module 220 V	
	-002	Motor Module 115 V	
	-003	Motor Module 105 V	
	-004	Motor Module 240 V	
	-005	Motor Module 220 V	
	-006	Motor Module 240 V	
	-007	Motor Module 115 V	
29	619436-001	Brush Spring (2x)	
30	619435-004	Brush (2x)	
31	604250-002	Commutator End Housing	
32	140677-003	Round Head Screw (2x) No. 4-40	
33	604018-003	Washer (2x)	
34	603907-001	Nut (2x)	
35	604229-001	Bushing (see rep. 24)	
36	604228-001	Bushing	
37	604886-001	Switch Complete	
38	618634-002	Switch Retaining Screw (2x)	
39	619494-002	Univ. Controller 115 V	
	-003	Univ. Controller 220 V	
	-004	Univ. Controller 105/115 V	
	-005	Univ. Controller 220/240 V	
	-006	Univ. Controller 240 V	
	-009	Univ. Controller 220 or 240 V	
	-076	Univ. Controller 115 V	
	-079	Univ. Controller 220/240 V	
	-082	Univ. Controller 220/240 V	
	-091	Univ. Controller 220 V	
	-120	Univ. Controller 115 V	
	604174-002	Univ. Controller 240 V	
40	604874-000	Cords for CR 303 Universal Controller	

Mfr. 97942303
N) Brkt.

A . . . E F . . . L . O P . R S
A M
A B C D Q
A . . C K
A F G
A B C D E F . . . L M O P Q R S
A E F . . . L . O P . R S
A D M
A B C D Q
A . . C K
A F G

From the library of Diamond Needle Corp

MARKETING TERRITORIES (Territory Code)

A 105 V/115 V - 220 V/240 V	B 220 V	L 220 V
Aden Antilles Bahrain Burma Cambodia Cameroons Ceylon Congo Equat. E. Africa Ethiodia Ghana Guiana High Volta Hong-Kong India Indonesia Iran Iraq Italian Somaliland Ivory Coast Jordan Kenya Korea Kuwait Lebanon Laos Liberia Libya Madagascar Malaya Mali Mauritius Morocco Niger Nigeria Pakistan Portuguese E. Africa Portuguese W. Africa Rhodesia Saudi Arabia Sierra Leone Sudan Surinam Tanzania Taiwan Tangiers Thailand Togoland Tunisia Uganda United Arab Rep. Vietnam	South Africa	Norway
	C 220 V/240 V	M 100 V
	New Zealand	Japan
	D 240 V	
	Great Britain Malta	
	E 220 V	O 220 V
	Switzerland	Austria
	F 220 V	P 220 V
	Finland Germany	Albania Belgium France Greece Iceland Italy Luxembourg Monaco Netherlands Portugal Spain Turkey & Cyprus Yugoslavia Israel
	G 120 V	
	Canada United States	
	H 120 V	Q 240 V
	Central America Mexico Philippines South America (exc. Guiana) West Indies	Cyprus
	K 240 V	R 220 V
	Australia	Denmark Sweden
		S 220 V
		Eire

From the library of: Diamond Needle Corp